



DESTROYER SERIES



**2 DOOR
ROCK RAILS**

***PLEASE READ THROUGH THE IN-
STRUCTIONS BEFORE BEGINNING
ANY PART OF THE INSTALLATION
PROCESS***



***PLEASE READ THROUGH THE INSTRUCTIONS BEFORE BEGINNING ANY PART OF THE
INSTALLATION PROCESS***

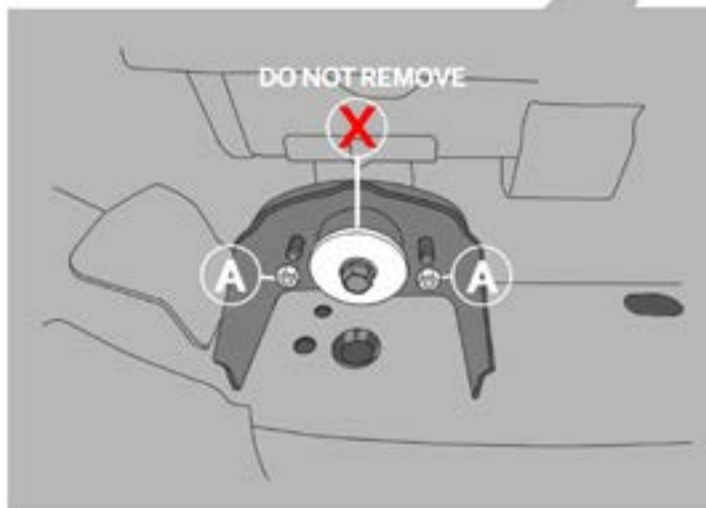
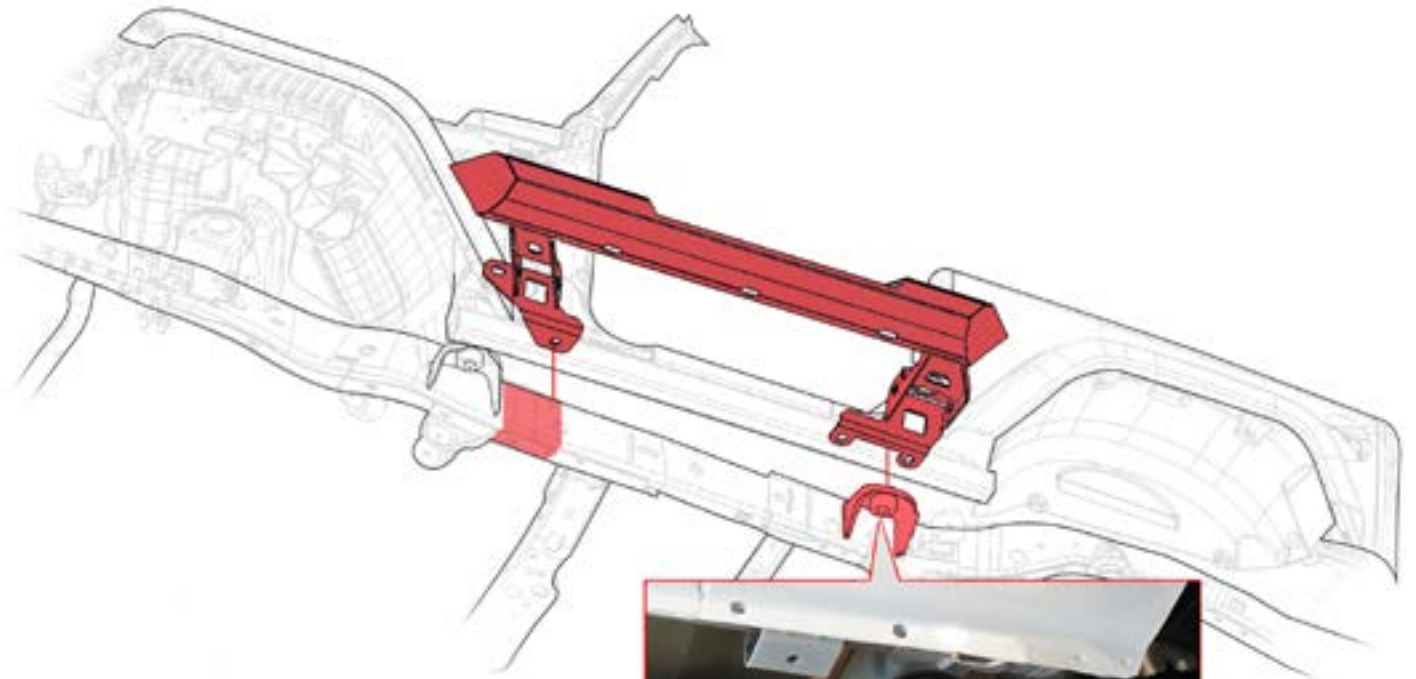
WEB LINK: <http://lodoffroad.com/assets/pdfs/JRS1802.pdf>

1.



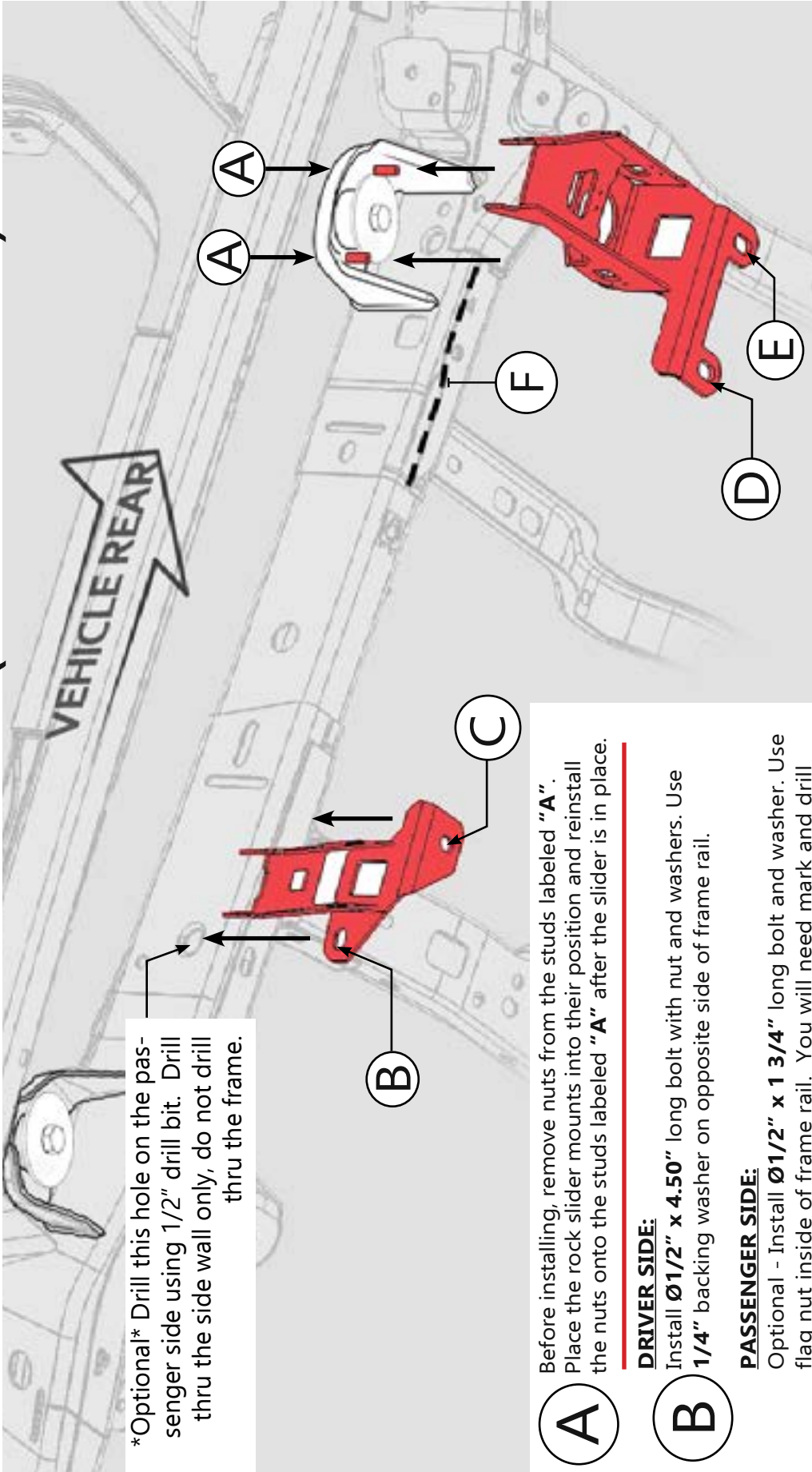
Remove the stock rock sliders (if included on vehicle)

The rock sliders mount in the shown areas.



Remove the nuts in position **"A"**
You may need to loosen body bolt **"X"** to get mounts over washer, but DO NOT REMOVE.

FRONT AND REAR MOUNTS - (DRIVER SIDE SHOWN)



Optional Drill this hole on the passenger side using 1/2" drill bit. Drill thru the side wall only, do not drill thru the frame.

A Before installing, remove nuts from the studs labeled "A". Place the rock slider mounts into their position and reinstall the nuts onto the studs labeled "A" after the slider is in place.

DRIVER SIDE:

Install $\varnothing 1/2"$ x 4.50" long bolt with nut and washers. Use 1/4" backing washer on opposite side of frame rail.

PASSENGER SIDE:

Optional - Install $\varnothing 1/2"$ x 1 3/4" long bolt and washer. Use flag nut inside of frame rail. You will need mark and drill this hole using a 1/2" drill bit.

DRIVER SIDE:

Install $\varnothing 1/2"$ x 1 3/4" long bolt and washer. Use flag nut inside of frame rail.

PASSENGER SIDE:

Install $\varnothing 1/2"$ x 1 3/4" long bolt and washer. Use flag nut inside of frame rail. The skid plate will need to be notched to allow installation. See picture on next page.

E **Optional** (on both passenger and driver side rear mount), but recommended for offroad use. Drill 7/16" \varnothing hole and insert the self tapping bolts provided. Slowly tighten until fully seated.

DRIVER SIDE:

Install using factory supplied cross member bolt. The mounting tab will go between the frame and the cross member. See picture on next page.

PASSENGER SIDE:

Install using factory supplied cross member bolt. The mounting tab will go on top of the skid plate. See picture on next page.

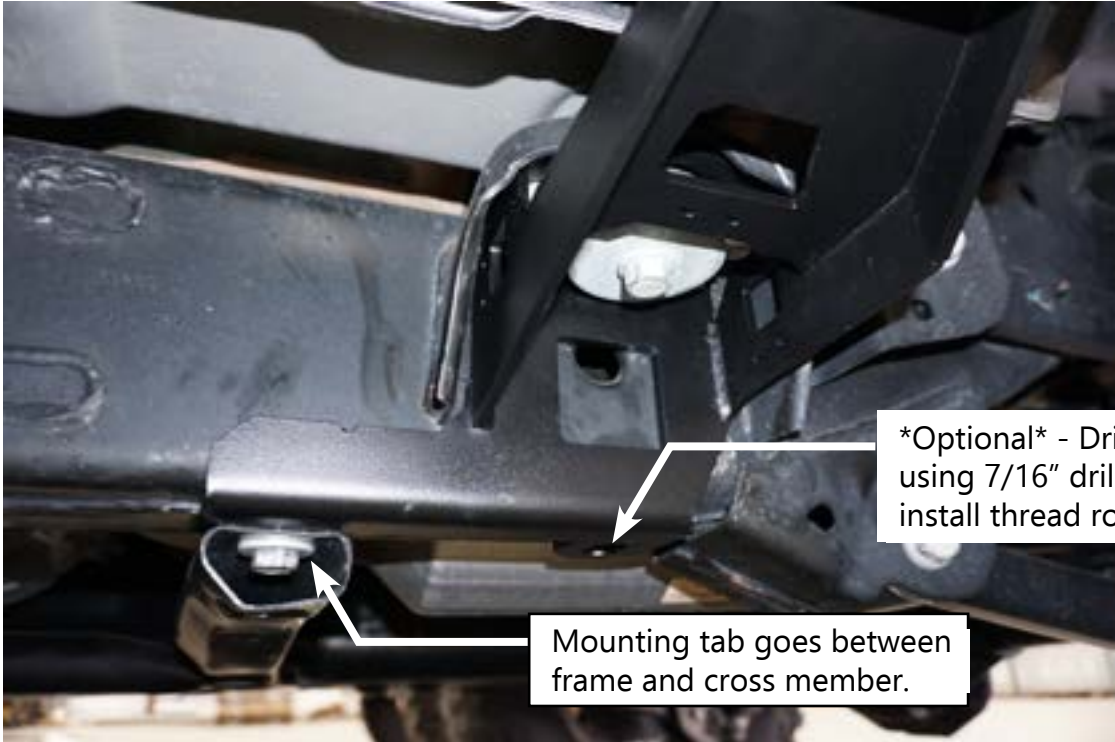
F Some welds and seams may need to be ground flat with a hand grinder. The dashed line indicates where we had to grind a drippy weld.

FRONT AND REAR MOUNTS - (DRIVER SIDE SHOWN)

Front Mount

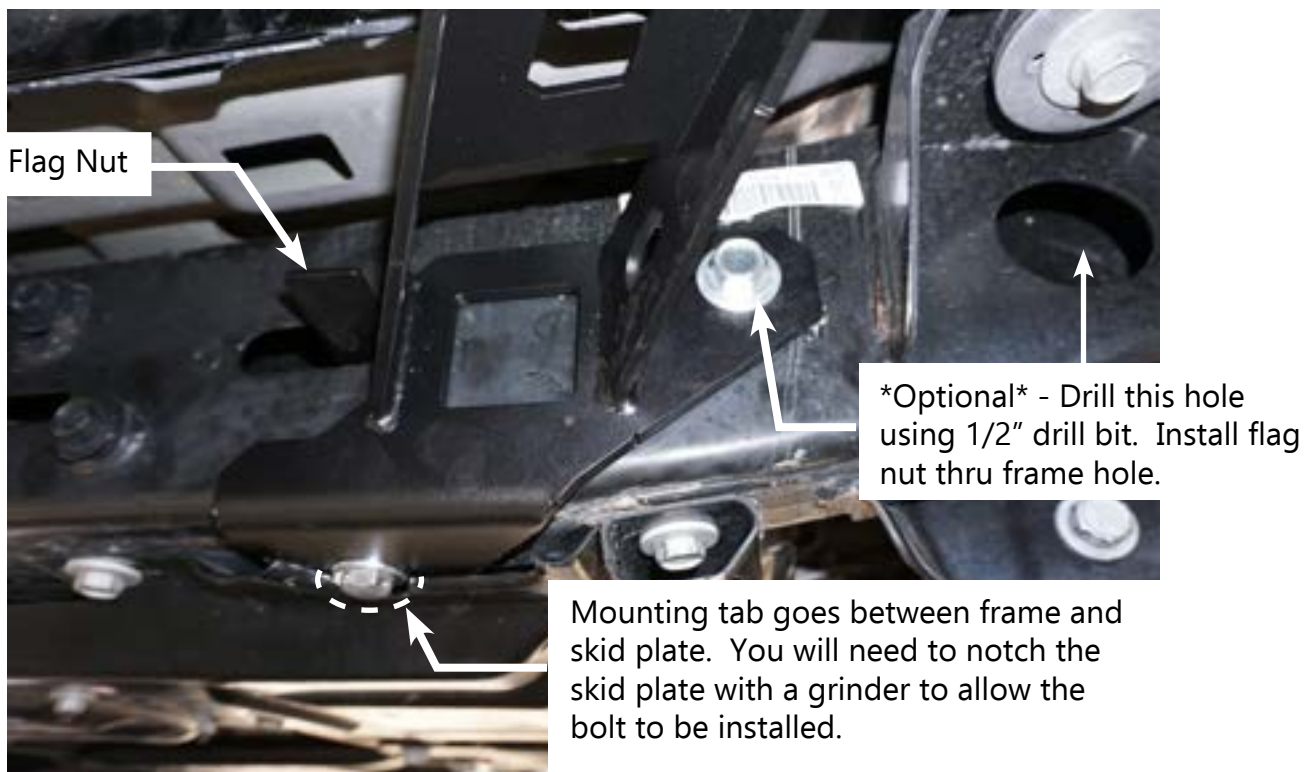


Rear Mount

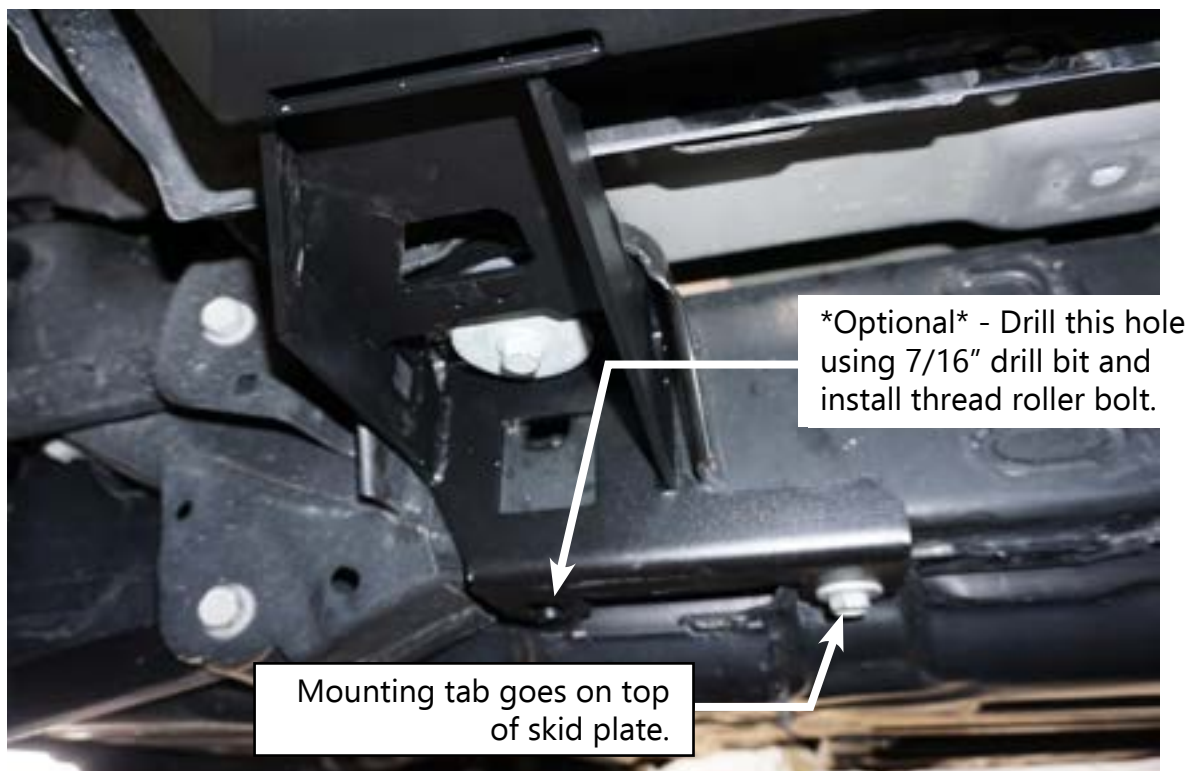


FRONT AND REAR MOUNTS - (PASSENGER SIDE SHOWN)

Front Mount



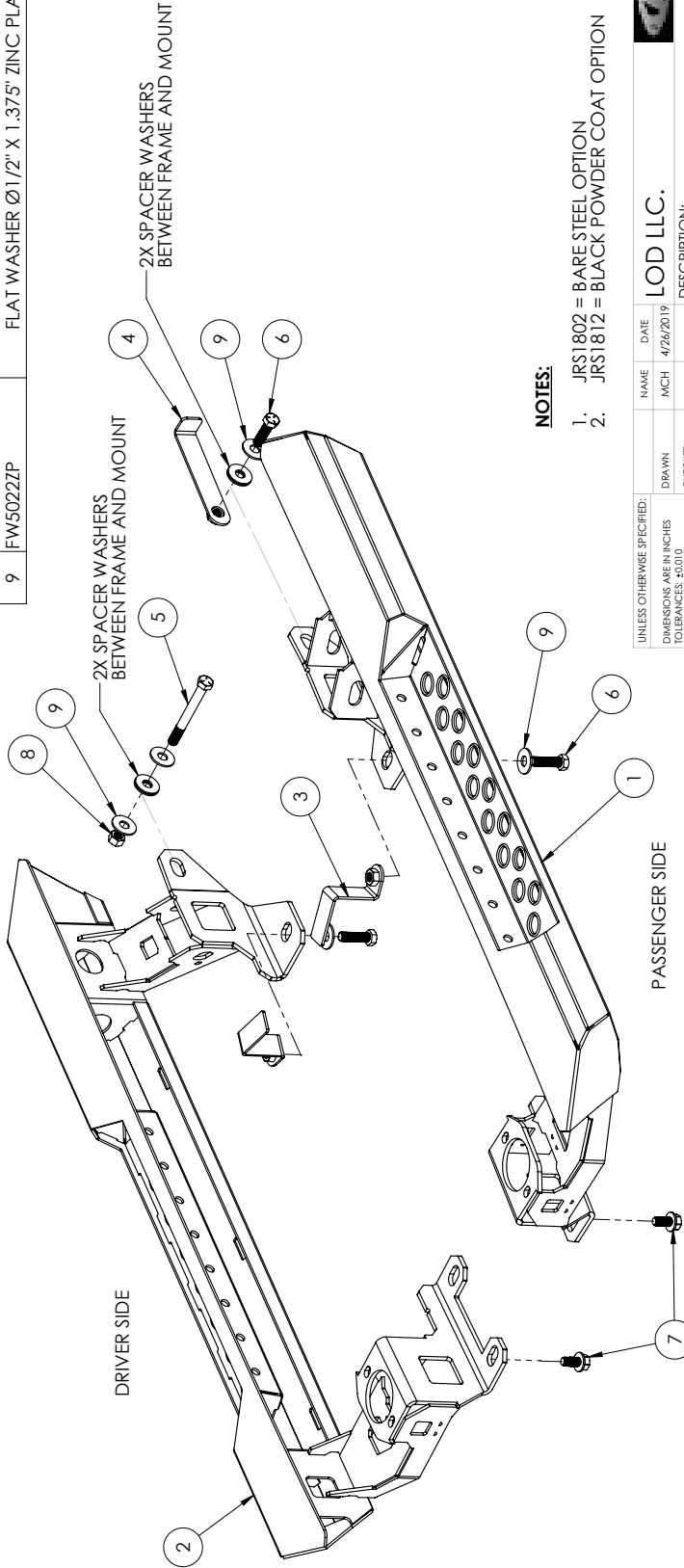
Rear Mount



| ITEM NO. | PART NUMBER | DESCRIPTION | QTY. |
|----------|-------------|---------------------------------------|------|
| 1 | 4JRS1802-07 | JL 2DR DESTROYER SLIDER WELDMENT - PS | 1 |
| 2 | 4JRS1802-08 | JL 2DR DESTROYER SLIDER WELDMENT - DS | 1 |

HARDWARE

| ITEM NO. | PART NUMBER | DESCRIPTION | QTY. |
|----------|-----------------|--|------|
| 3 | THN5013ZPGR5-02 | TABBED HEX NUT 1/2-13 ZINC PLATE GR5 | 2 |
| 4 | 4JRS0754-09 | FLAG NUT 1/2-13 ZINC PLATE GR5 | 1 |
| 5 | HB501372ZPGR5 | HEX BOLT 1/2-13 X 4.50 HEX BOLT ZINC PLATE GR5 | 1 |
| 6 | HB501328ZPGR5 | HEX BOLT 1/2-13 X 1.75 HEX BOLT ZINC PLATE GR5 | 3 |
| 7 | TR501316ZP | THREAD ROLLER 1/2-13 X 1.00 HEX ZINC PLATE | 2 |
| 8 | HN5013ZPGR5 | HEX NUT 1/2-13 ZINC PLATE GR5 | 1 |
| 9 | FW5022ZP | FLAT WASHER Ø1/2" X 1.375" ZINC PLATE | 9 |



NOTES:

- JRS1802 = BARE STEEL OPTION
- JRS1812 = BLACK POWDER COAT OPTION

| | | |
|--|---|--|
| UNLESS OTHERWISE SPECIFIED: DIMENSIONS ARE IN INCHES TOLERANCES: ±0.010 FINISH: MILL THREADS: PER ANSI B1.13-2M THREE PLACE DECIMAL ±0.005 | DRAWN MCH | DATE 4/24/2019 |
| PROPRIETARY AND CONFIDENTIAL THE INFORMATION CONTAINED HEREIN IS THE PROPERTY OF LOD LLC. ANY REPRODUCTION IN PART OR AS A WHOLE WITHOUT THE WRITTEN PERMISSION OF LOD LLC IS PROHIBITED. | CHECKED ENG APPR. MFG APPR. MATERIAL: N/A | DESCRIPTION: JEEP JL DESTROYER FRAME MOUNTED 2 DR ROCK SLIDERS |
| DWG. NO. JRS1802 JRS1812 | | REV A |
| SCALE: 1:6 | | SHEET SIZE: B |
| | | SHEET 1 OF 1 |

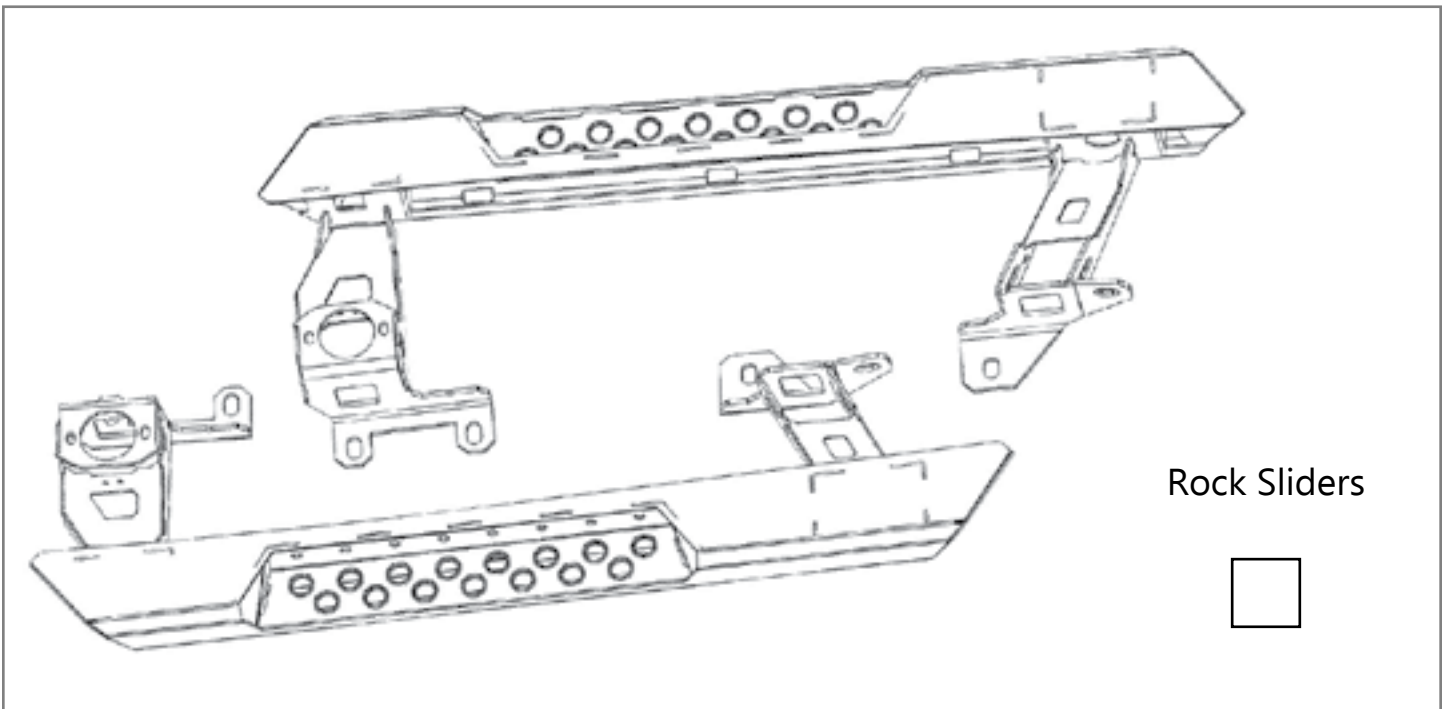


JL Jeep
Destroyer Series
 2 Door Rock Sliders
 Shipping Sheet
 Packaged by:

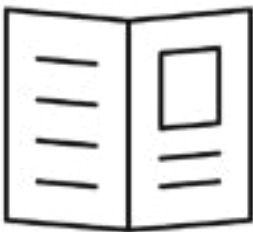
On:



Hardware Kit
 (contents may vary from image)



Rock Sliders

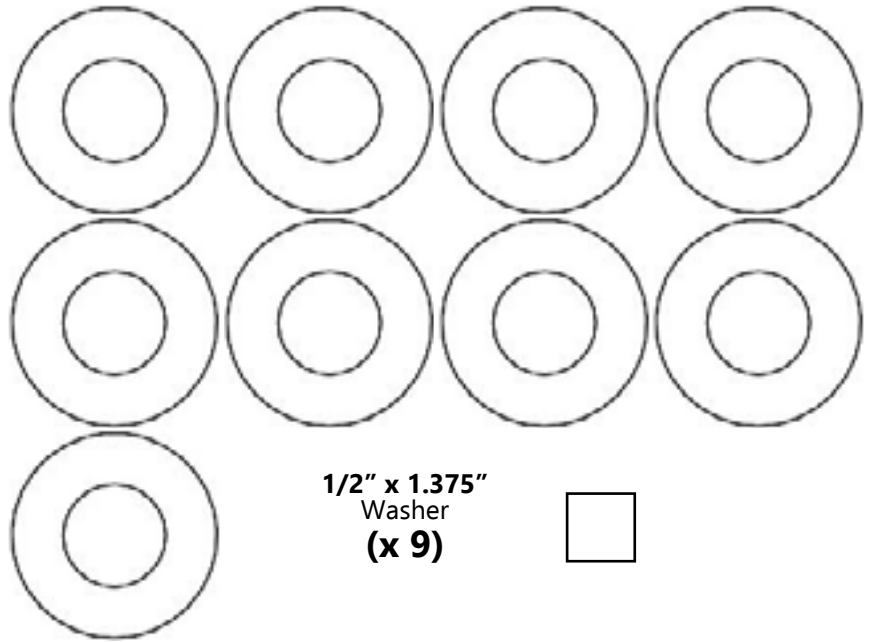


Install Instruction Booklet

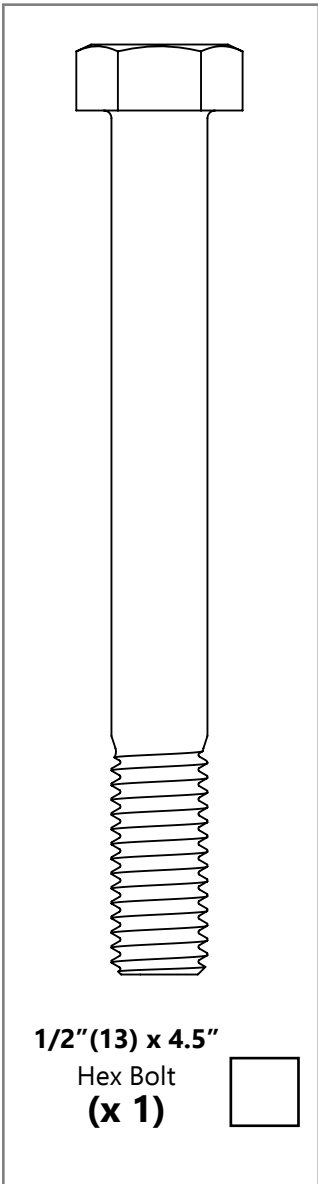


**JL Jeep
Destroyer Series
2 Door Rock Sliders
Bolt Kit**
Packaged by:

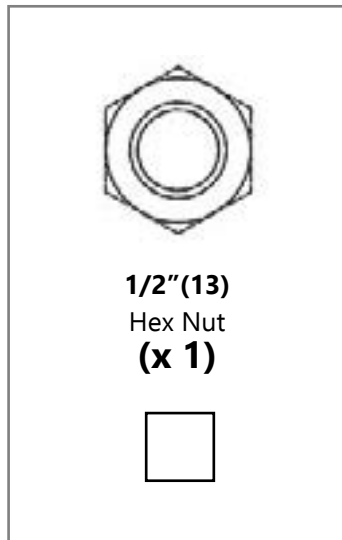
On: _____



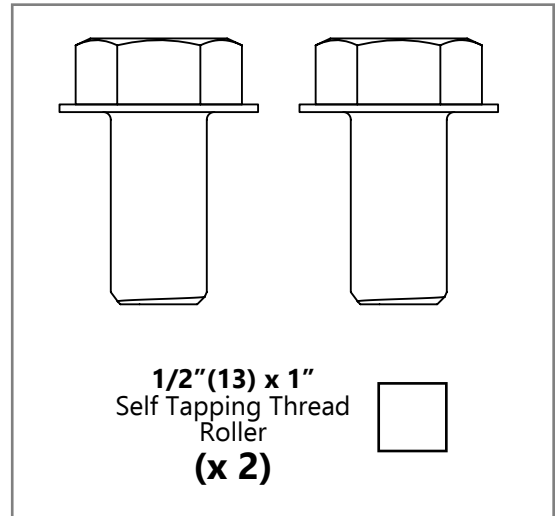
1/2" x 1.375"
Washer
(x 9)



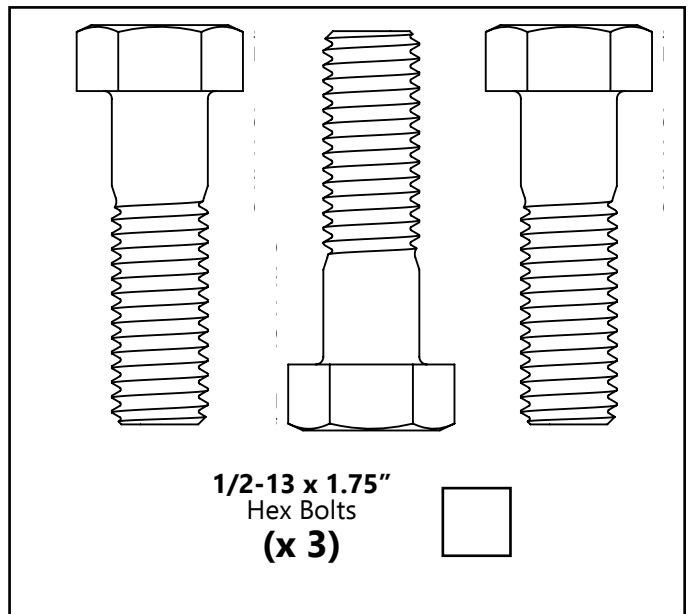
1/2" (13) x 4.5"
Hex Bolt
(x 1)



1/2" (13)
Hex Nut
(x 1)

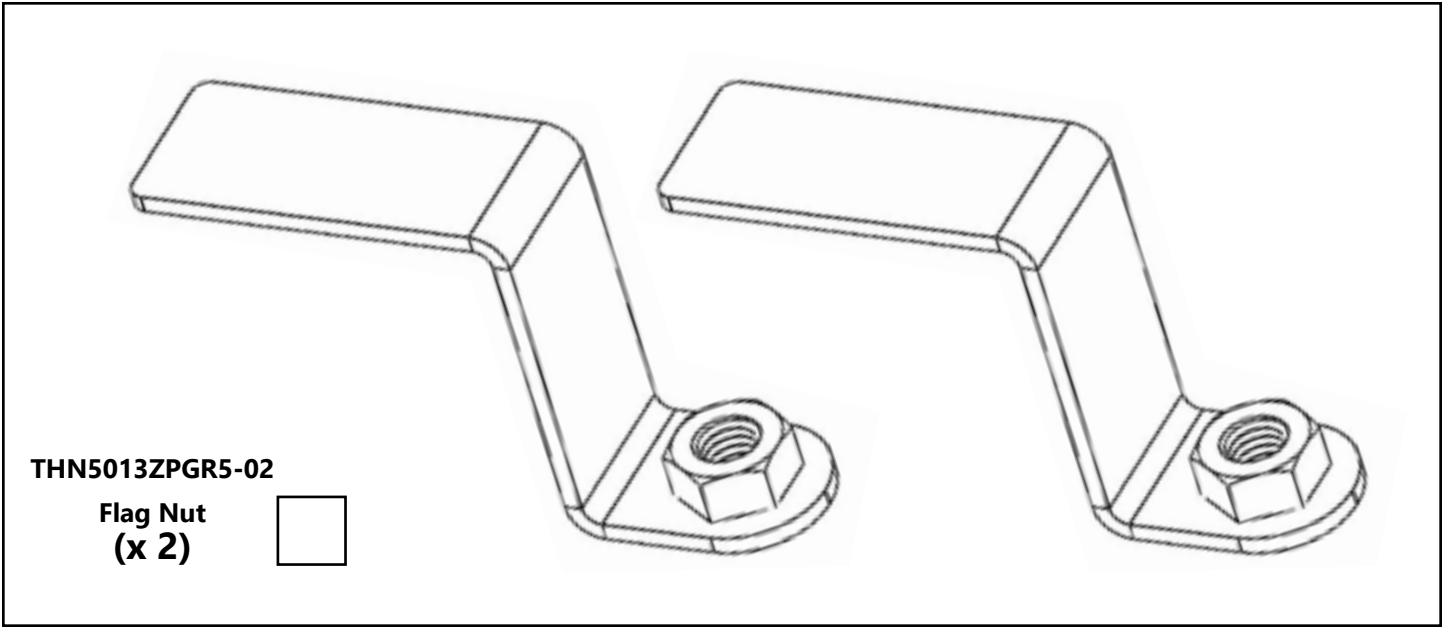


1/2" (13) x 1"
Self Tapping Thread
Roller
(x 2)



1/2-13 x 1.75"
Hex Bolts
(x 3)





4JRS0754-09

Flag Nut
(x 1)

